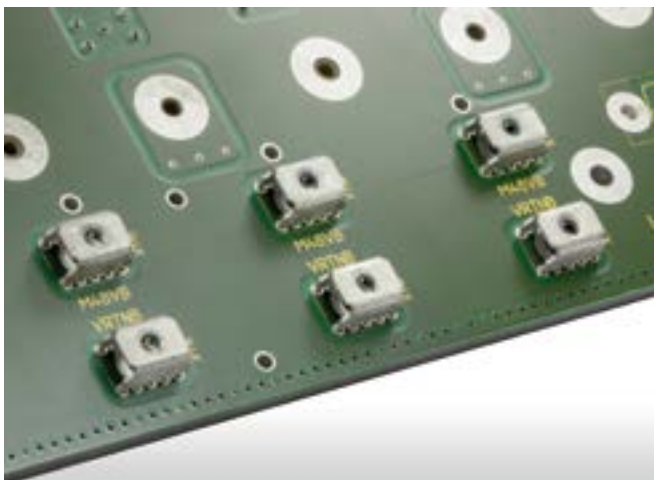


POWER TAPS

for backplanes and PCBs



POWER TAPS

Power taps in grids of 2.54 millimeters are developed especially for the power supply on the Printed Circuit Board (PCB) and backplane. They are available in various designs with six or ten connection pins and as dip solder or pressfit variants. Depending on the cable connection and PCB, operating currents up to 40 amperes can be realized. The cable connection is possible with commercially available cable lugs. This provides high flexibility for the connections.



FEATURES

Pitch	2.54 mm
No. of Pins	6, 10
Current rate	up to 40 A
Termination technology	Pressfit technology, Dip soldering
Screw mount terminal	M3, M4, 6-32UNC, 8-32UNC

ELECTRICAL AND MECHANICAL CHARACTERISTICS

Technical Data

Description	Standard	6 and 10 pin version	
Climate category	DIN EN 60068-1 test b	-55/125/56	
Temperature range		-55/125 °C	
Current rating	IEC60512 test 5b	20°C	40 A
		70°C	24 A
		100°C	8 A
Processing Conditions			
Solder temperature max.	IEC 68-2-20		
Hand soldering temperature max.		3.5 s at 350 °C	
Dip soldering temperature max.		10 s at 260 °C	
Warning		Soldering of pressfit connectors not to be recommended.	
Contact and mating area			
Base material		Cu alloy	
Plating		Sn	
Transfer area			
Base material		Cu alloy	
Plating		Sn	
Environment Compatibility			
Recycling		Easy recycling	
Assembly information			
Max. tightening torque M3		0.5 Nm	
Max. tightening torque M4		1.2 Nm	
Max. tightening torque 6-32 UNC		0.5 Nm	
Max. tightening torque 8-32 UNC		1.2 Nm	

For assembly scheme see page 8

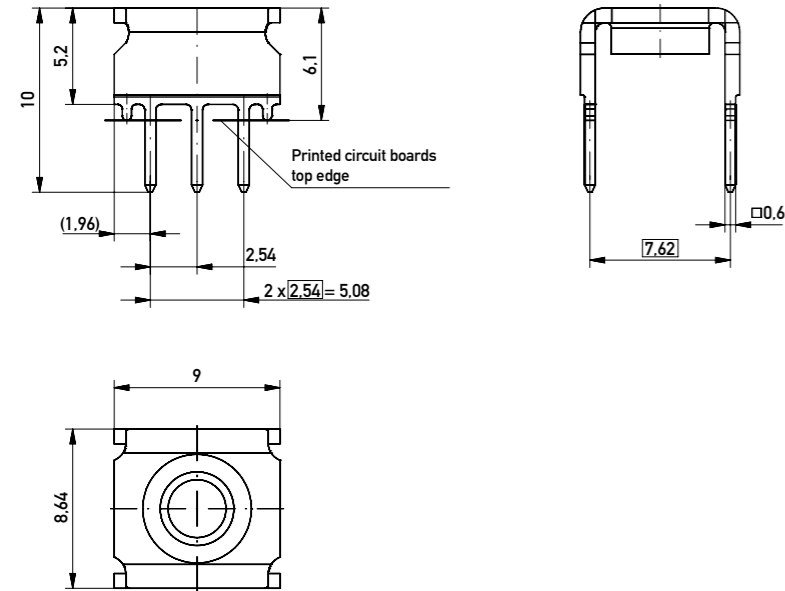
6 PIN WITH SCREW MOUNT TERMINAL, DIP SOLDERING

Product Specification

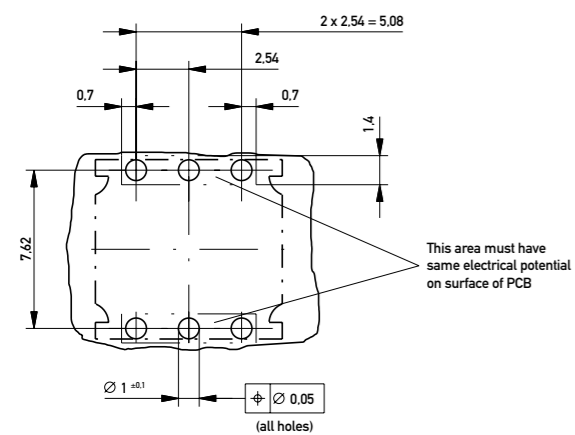
- designed to bring power to printed circuit board applications
- allows wire-to-board connections with common terminals
- three solder pins per row with a two-row PCB layout
- operating current is determined by characteristics of the PCB and the cable termination
- power supply cable can be connected with a screw mount terminal
- accomodating M3, M4, 6-32UNC or 8-32UNC screws
- for available parts please refer to our website, consult our distirbution partners or use TE-sales



Dimensional Drawings



PCB drillhole pattern



All dimensions in mm

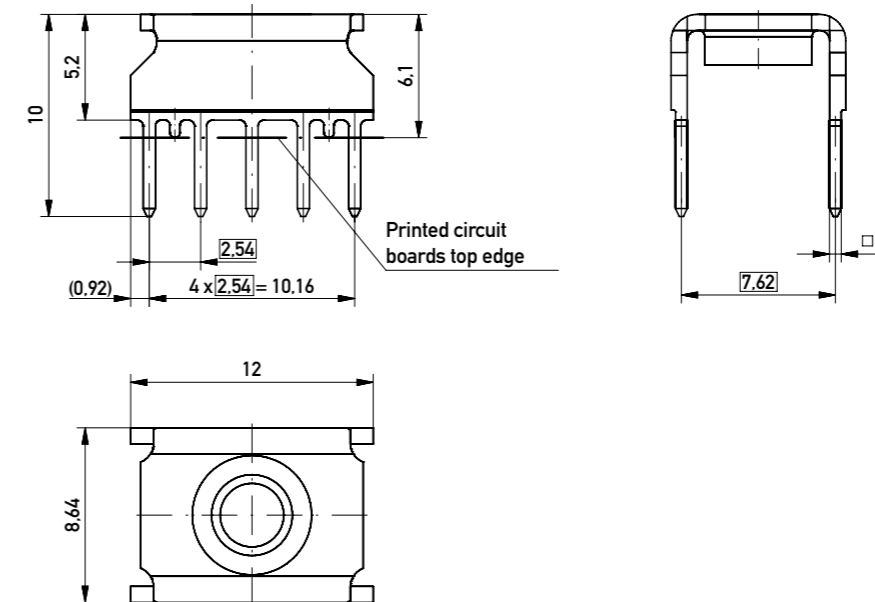
10 PIN WITH SCREW MOUNT TERMINAL, DIP SOLDERING

Product Specification

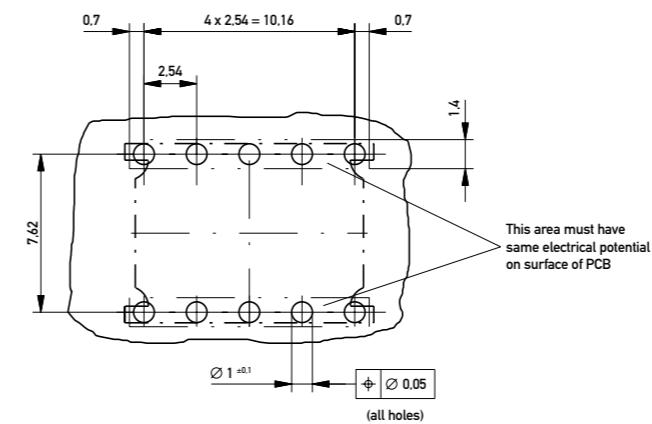
- designed to bring power to printed circuit board applications
- allows wire-to-board connections with common terminals
- five solder pins per row with a two-row PCB layout
- operating current is determined by characteristics of the PCB and the cable termination
- power supply cable can be connected with a screw mount terminal
- accomodating M3, M4, 6-32UNC or 8-32UNC screws
- for available parts please refer to our website, consult our distirbution partners or use TE-sales



Dimensional Drawings



PCB drillhole pattern



All dimensions in mm

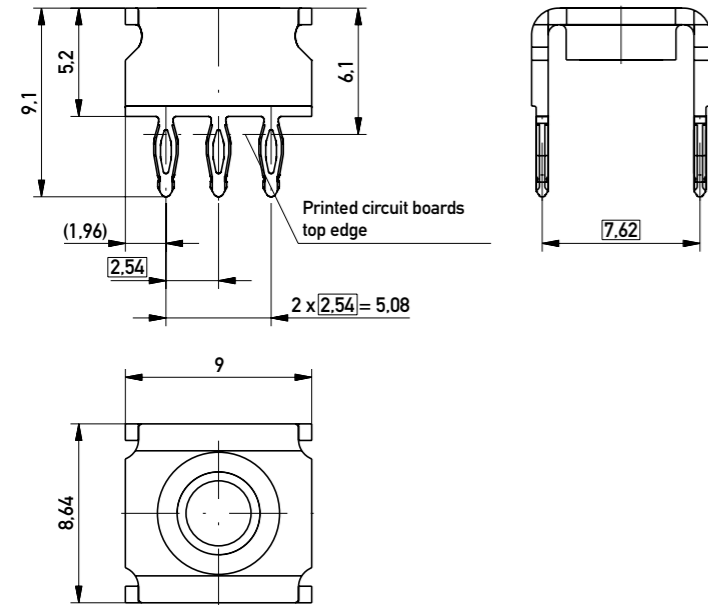
6 PIN WITH SCREW MOUNT TERMINAL, PRESSFIT

Product Specification

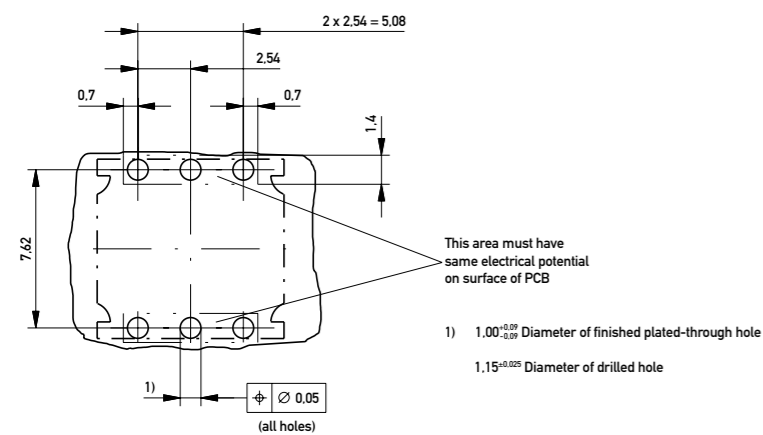
- designed to bring power to printed circuit board applications
- allows wire-to-board connections with common terminals
- three pressfit pins per row with a two-row PCB layout
- operating current is determined by characteristics of the PCB and the cable termination
- power supply cable can be connected with a screw mount terminal
- accomodating M3, M4, 6-32UNC or 8-32UNC screws
- for available parts please refer to our website, consult our distirbution partners or use TE-sales



Dimensional Drawings



PCB drillhole pattern



All dimensions in mm

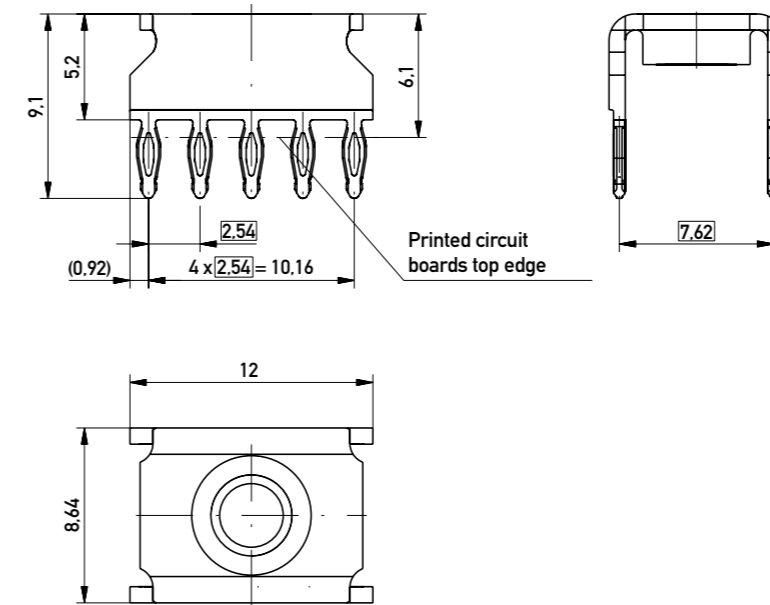
10 PIN WITH SCREW MOUNT TERMINAL, PRESSFIT

Product Specification

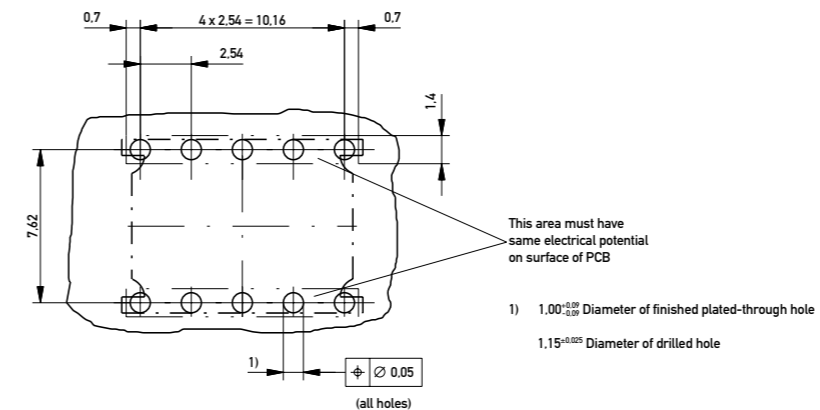
- designed to bring power to printed circuit board applications
- allows wire-to-board connections with common terminals
- five pressfit pins per row with a two-row PCB layout
- operating current is determined by characteristics of the PCB and the cable termination
- power supply cable can be connected with a screw mount terminal
- accomodating M3, M4, 6-32UNC or 8-32UNC screws
- for available parts please refer to our website, consult our distirbution partners or use TE-sales



Dimensional Drawings



PCB drillhole pattern



All dimensions in mm

PRESS-IN-TOOLING

Ordering Information

Description	Comment	Part Number
Upper Tool	With Quick Change	471870
Lower Tool	With Quick Change	220140

Connect With Us

We make it easy to connect with our experts and are ready to provide the support you need. Visit www.te.com/support to chat with a Product Information Specialist.

te.com

2022 TE Connectivity. All Rights Reserved.

TE Connectivity, TE connectivity (logo), ERNI and Every Connection Counts are trademarks owned or licensed by the TE Connectivity family of companies. All other logos, products and/or company names referred to herein might be trademarks of their respective owners.

The information given herein, including drawings, illustrations and schematics which are intended for illustration purposes only, is believed to be reliable. However, TE Connectivity makes no warranties as to its accuracy or completeness and disclaims any liability in connection with its use. TE Connectivity's obligations shall only be as set forth in TE Connectivity's Standard Terms and Conditions of Sale for this product and in no case will TE Connectivity be liable for any incidental, indirect or consequential damages arising out of the sale, resale, use or misuse of the product. Users of TE Connectivity products should make their own evaluation to determine the suitability of each such product for the specific application.

074490 03/22 Original

CATALOG

TE Connectivity

ERNI Electronics GmbH & Co. KG
a TE Connectivity Ltd. company
Seestraße 9
73099 Adelberg
Germany

Tel +49 7166 50-0
www.te.com
www.erni.com